

DATA SHEET

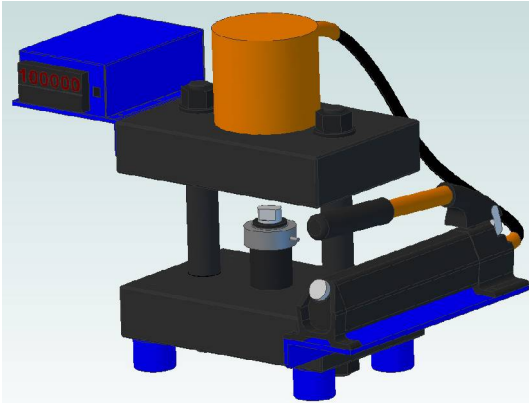
FORCE CALIBRATION MACHINE

DETERMINISTIC FORCE MEASUREMENT/CALIBRATION

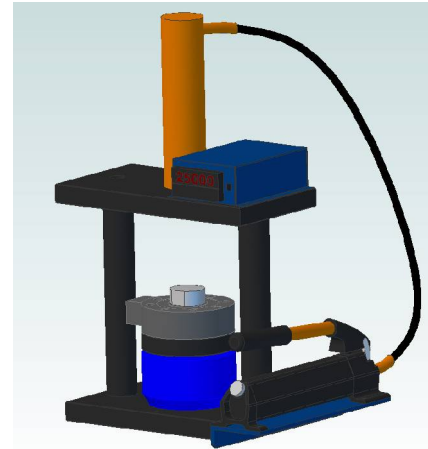


100K Measurement/Calibration for under \$10K !!

Contact us for details!

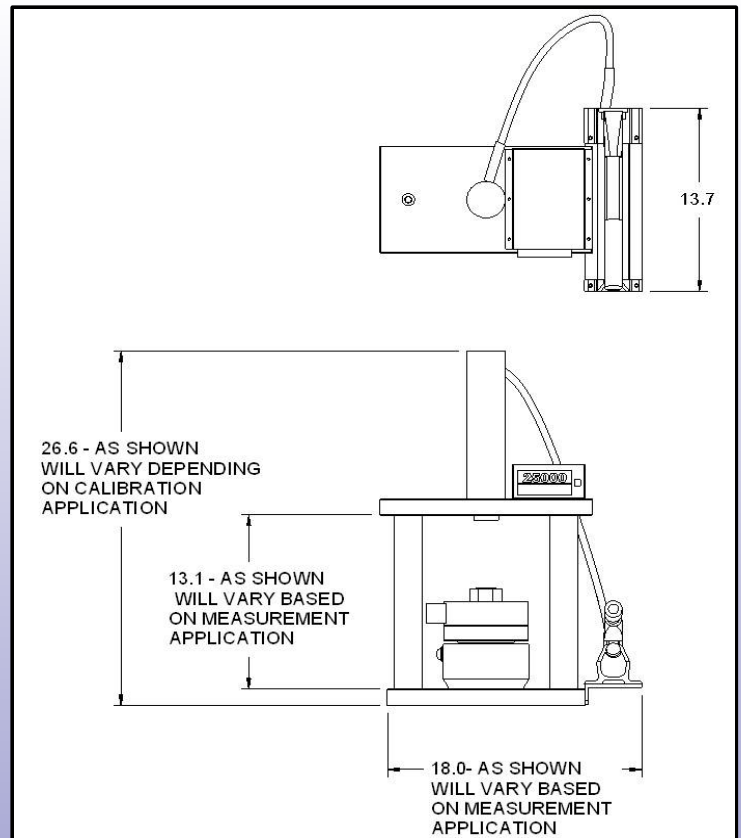


Configured
To Your
Specific
Requirements



Optional analog and RS232
output for data logging

Line Drawing



FCM Features

- Compression system capacities from 10K to 200K LBS
- Allows for inhouse ASTM compliant calibrations and load cell checks without leadtime of sending equipment offsite
- Benchtop/small footprint
- Hydraulic handpump for simple and effective operation with rapid update indicator for ease of fine adjustment
- Fraction of cost of universal calibration stand