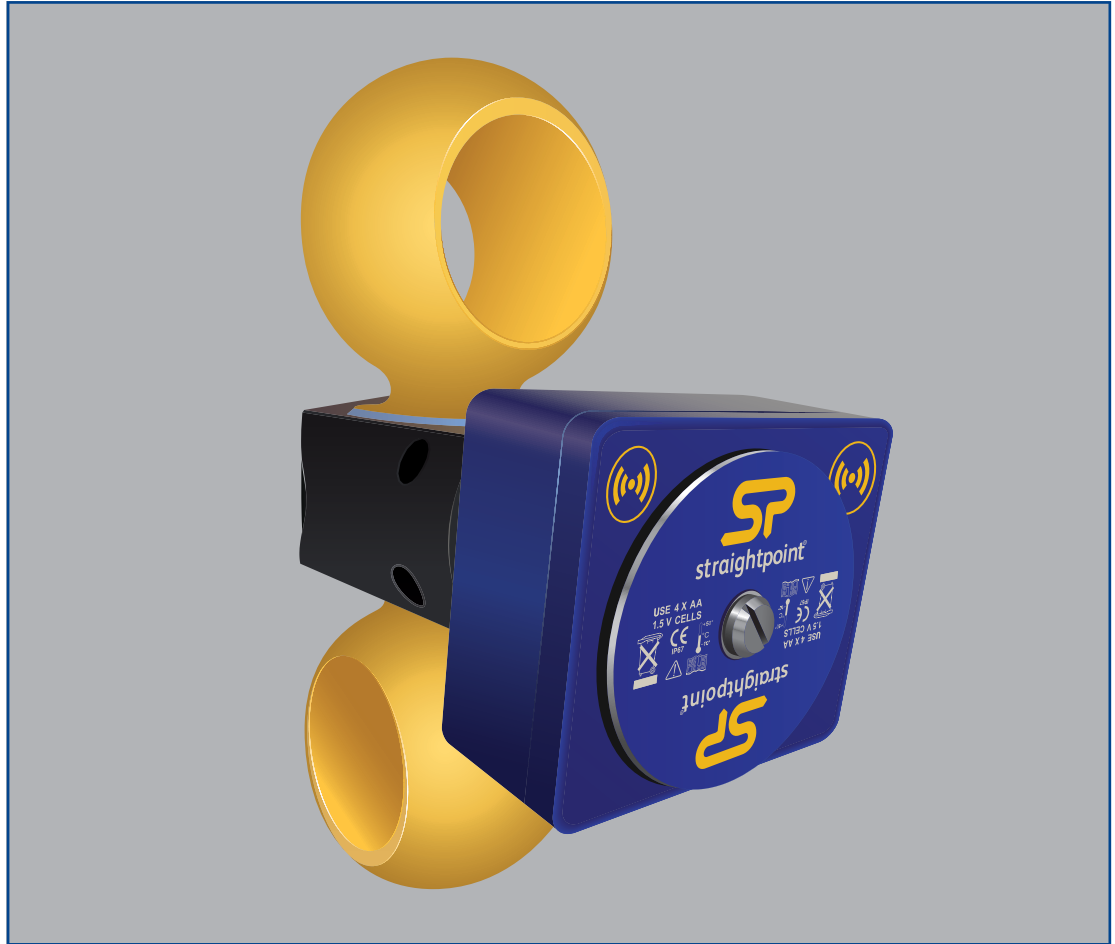




wireless low headroom link



Now available as a wireless product the Straightpoint range of low headroom links are designed to provide accurate measurement of loads in the most challenging applications where headroom restrictions are a major factor.

Constructed from high strength alloy steel and exposed to an array of testing during development, this impressive range of load cells is designed to work with industry standard shackles from manufacturers such as Crosby and Van Beest. Applications include weighing, lifting, force measurement and load monitoring of structures such as lighting trusses, hoist mountings and fly line tensioning.

The unique low headroom design combines the ability to lift loads with capacities up to 30 tonnes and features industry leading wireless technology and range of 700m or 2300ft.

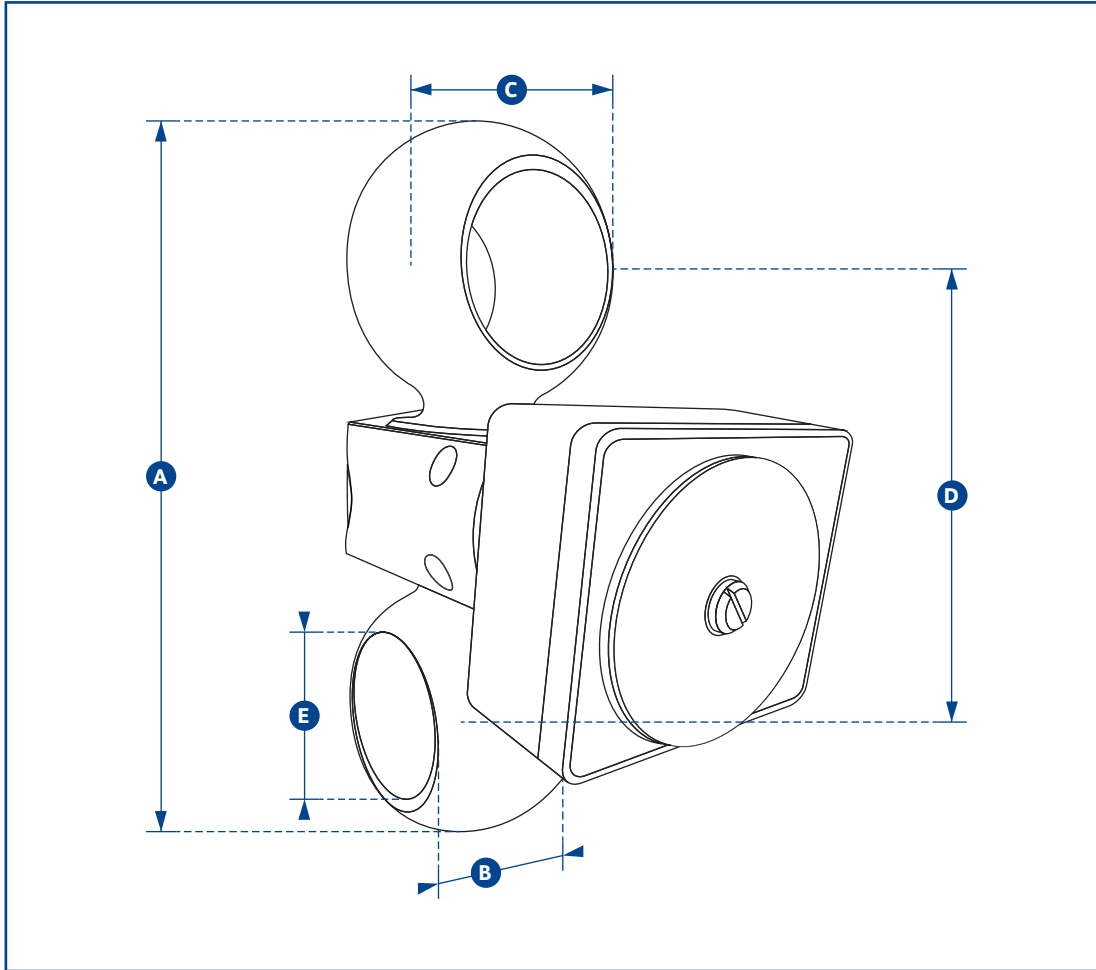
The versatile WDB is supplied with an update rate of 3 Hz and can be easily configured to run at industry leading speeds of up to 200 Hz. Data is transmitted wirelessly utilising the latest in IEEE 802.15.4 (2.4 GHz) technology providing safe, high integrity, error free transmission of both static weight and dynamic loads to our SW HHP wireless handheld display or up to 100 WDB load cells may be connected to our SW MWLC multi load cell data logging software.

Environmentally sealed in a aerospace aluminium enclosure and sealed to NEMA 4X the WDB utilises easily sourced AA alkaline batteries and features advanced circuitry designed to protect the unit from damage associated with incorrectly installed batteries. This advanced circuitry extends battery life and the use of easily sourced alkaline batteries eliminates issues associated with rechargeable battery pack charging, failure and replacement.

Features and benefits:

- Low headroom
- Range from 1t to 30t
- Lightweight and portable
- Accepts standard shackles
- Constructed from high strength alloy steel
- Proprietary 2.4 GHz wireless
- Industry leading wireless range of 700m or 2300ft
- Error free data transmission
- Environmentally sealed to NEMA 4X
- Audible overload alarm
- Unmatched battery life of 1200 hours
- Internal antennae
- Remote on-off

imperial specifications



wireless low headroom link

| Part Number | WDB1TU | WDB3TU | WDB5TU | WDB10TU | WDB20TU | WDB30TU |
|---------------------|-------------------------|-------------|------------|-----------|-----------|-----------|
| Capacity | 2200lb | 6600lb | 11000lb | 22000lb | 44000lb | 66000lb |
| Resolution | 1lb | 2lb | 2lb | 4lb | 10lb | 10lb |
| Weight | 2.2lb | 2.6lb | 4.4lb | 5.5lb | 8.8lb | 13.7lb |
| Safety Factor | 5:1 | | | | | |
| Operating Temp | 14° to 122°F | | | | | |
| Accuracy | ± 0.3 % of applied load | | | | | |
| Protection | NEMA 4X | | | | | |
| Dimension A | 4.33 | 5.08 | 6.50 | 8.07 | 9.80 | 9.76 |
| Dimension B | 0.71 | 0.98 | 1.30 | 1.61 | 2.60 | 2.28 |
| Dimension C | 1.30 | 1.38 | 1.97 | 2.48 | 3.54 | 3.43 |
| Dimension D | 2.91 | 3.46 | 4.37 | 5.31 | 6.02 | 5.91 |
| Dimension E Ø | 0.71 | 0.83 | 1.06 | 1.46 | 2.09 | 1.73 |
| Recommended Shackle | G2130-2T | G2130-3.25T | G2130-6.5T | G2130-12T | G2130-25T | G2140-30T |

