

TSTM-DC & TSTMH-DC MOTORIZED TORQUE TEST STANDS

The TSTM-DC is an advanced motorized torque test stand, designed for a wide variety of applications requiring up to 100 lbFin (11.5 Nm) of torque, including closure torque testing, fastener torque testing, and more. A 200 lbFin (22 Nm) capacity upgrade is available as an option. The stand includes a torque loading plate with tapped holes for grip and fixture mounting. Stepper motor design eliminates speed variation with load. A lever-operated slider with travel stops makes engaging and disengaging samples quick and efficient. A modular mechanical design allows the stand to be configured for a variety of applications.

The TSTM-DC's controller adds a significant amount of sophistication, including integrated angle display and output, programmable angle travel limits, an extended speed range, PC control capability, programmable cycling, auto return, overload protection, password protection, and other features.

- **MOUNTING HOLES FOR BENCH MOUNTING**
- **REMOVEABLE BASE FOR ALTERNATIVE MOUNTING**
- **GRIP/FIXTURE MOUNTING PLATE WITH 25 #10-32 THREADED HOLES**
- **INTEGRATED ANGLE INDICATION WITH PROGRAMMABLE TRAVEL LIMITS**

TEST STANDS

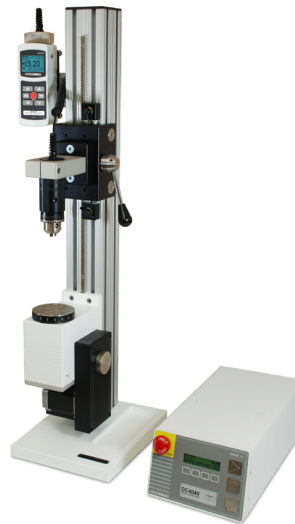
COOPER INSTRUMENTS & SYSTEMS

SPECIFICATIONS

MAXIMUM LOAD:	100 lbFin (11.5 Nm) Optional: 200 lbFin (22 Nm)
SPEED RANGE:	0.01-15 RPM (0.05-90°/s) Optional: 0.04-60 RPM (0.2-360°/s)*
SPEED ACCURACY:	±0.2% of setting ±0% variation with load
MAXIMUM PROGRAMMABLE TRAVEL LIMITS:	±999.999°/±2,777.77 revolutions
ROTATIONAL TRAVEL ACCURACY:	±0.7°/0.02 rev.
ROTATIONAL TRAVEL REPEATABILITY:	0.01°/0.01 rev.
ROTATIONAL TRAVEL RESOLUTION:	0.01°/0.01 rev.
SLIDER TRAVEL RATE:	1.047" (26.6 mm) / lever rev
LINE VOLTAGE:	80-250 VAC
DIMENSIONS:	
TSTM-DC	31.6"H x 7.9"W x 9.4"D
TSTMH-DC	30.4"L x 6.0"W x 10.0"H

* Maximum torque decreases proportionately with speed.

TSTM-DC SHOWN WITH OPTIONS



TSTMH-DC SHOWN WITH OPTIONS

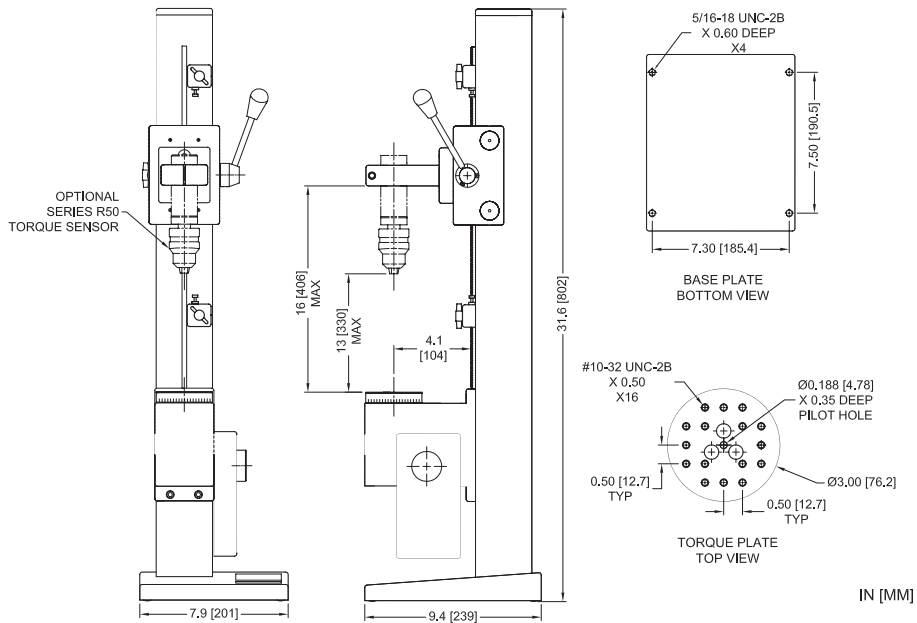


ORDERING INFORMATION

Model	Description
TSTM-DC	Torque stand, motorized, vertical, 110 V
TSTMH-DC	Torque stand, motorized, horizontal, 110 V
SP-2496*	Upgrade to 200 lbFin capacity
SP-2624*	Upgrade speed range to 60 RPM max
09-1162	Multi-function cable, indicator to controller
09-1056	Serial cable, controller to PC
RSU100	Converter, RS-232 to USB
AC1016	Mounting adapter, MR55-200 to test stand

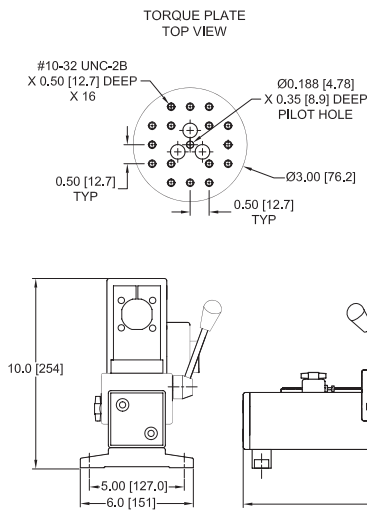
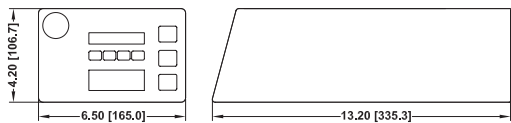
*These two upgrades cannot be ordered simultaneously
TSTM-DC/TSTMH-DC test stands include a tool kit.

TSTM-DC & TSTMH-DC MOTORIZED TORQUE TEST STANDS

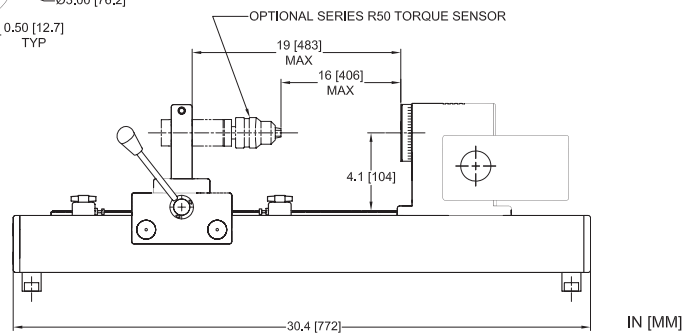


TSTM-DC

CONTROLLER



TSTMH-DC



TSTMH-DC