

55 TON BENCH AND FLOOR PRESSES

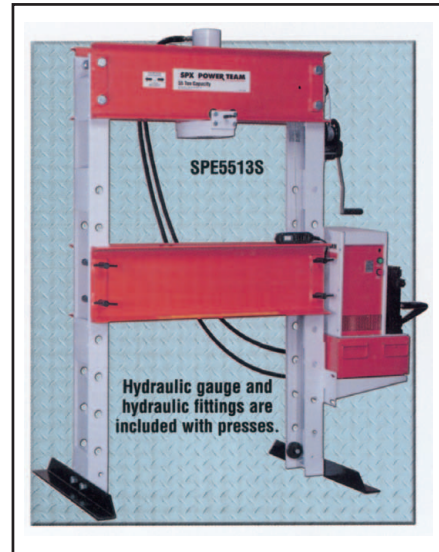
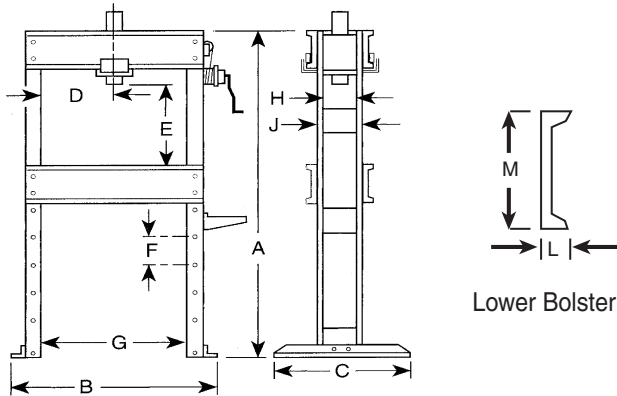
Here is the bigger version of the 25 ton economy press. If it's speed and economy you're looking for, this is the press for you. Your choice of a two-speed hand pump or the PA6 air/hydraulic pump gives you the fast cylinder advance you need. This press features a durable steel frame that resists buckling and bending and is ideal for a variety of uses in repair of heavy equipment and machines. For added versatility, lower press bolster is quickly and easily raised or lowered by a reliable, hand operated winch and cable mechanism. The cylinder on this press is single-acting and delivers a full 6 1/4" stroke.

- **SPEED AND ECONOMY ARE BUILT RIGHT INTO THIS PRESS.**
- **FEATURES RUGGED STEEL FRAME AND ADJUSTABLE LOWER PRESS BOLSTER**

SPECIFICATIONS

Pump electrical specifications

PE17 Series - 1/2 h.p., 115 volt, 60 cycle, single phase. Also available in 230 vol, 50 cycle. Please specify when ordering.



DIMENSIONS (in.)

A	B	C	D	E	F	G	H	J	L	M	Floor Space
72	48.5	36	3.25 - 32.75	6 - 42	6	36	6.75	8	3.00	12.00	48.5 x 36

ORDERING INFORMATION

Cap. (Tons)	Type Cyl. Used	Stroke	Cyl. Model	Order No.	Speed (in./Min.)***		Type Pump	Valve Type	Pump Model++	Wt. (lbs)
					Advance	Pressing				
55	Single Actng	6.25	C556C	SPA556	4.5	.5	Air	2-Way Foot	PA6	804
		6.25	C556C	SPM556	.23 in/stroke	.015 in./stroke	Hand	Load-Release	P159	814
		13.25	C5513C	SPM5513	.665 in/stroke	.026 in./stroke	Hand	2-Way	P460	960
		6.25	C556C	SPE556	21.17	1.5	Elec.	2-Way**	PE172	836
		13.25	C5513C	SPE5513	21.17	1.5	Elec.	2-Way**	PE172	980
		13.25	C5513C	SPE5513S	24.4	1.9	Elec.	3-Way*	PE213S	1056
	Double Acting	13.125	RD5513	SPE5513D	21.7	1.5	Elec.	4-Way	PE174	993
		13.125	RD5513	SPE5513DS	66.1	5.4	Elec.	4-Way*	PQ604S	1,114

* Solenoid valve with 24 volt remote control hand switch.

**Holds pressure with motor shut off. Also has an automatic dump setting. Furnished with a 10' remote motor control.

***Typical performance based on 100 psi and 10,000 psi pump specifications. Actual speeds may vary with operation conditions.

++Pump standard with press. Other Power Team pumps can be substituted. dBA at idle and 10,000 psi; PE172-67/81; PE21 Series-70; PQ60-74/76; measured at 3 foot distance, all sides.