

# SERIES R50 - PLUG AND TEST™ TORQUE SENSOR

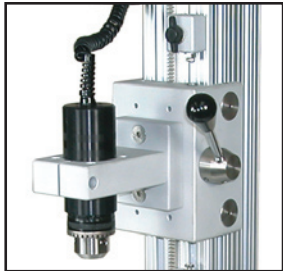
Series R50 smart sensors measure bi-directional torque for a wide variety of applications across virtually all industries. Contain a Jacobs chuck for up to 0.5 in [12.7 mm] diameter samples, bits, or fixtures. The sensors can be used as hand held devices, or mounted to a test stand. Capacities available from 10 ozFin to 100 lbFin [7 to 1150 Nem]. Compatible with Mark-10 model 5i and 3i indicators (sold separately) through unique Plug & Test™ technology.

## SPECIFICATIONS

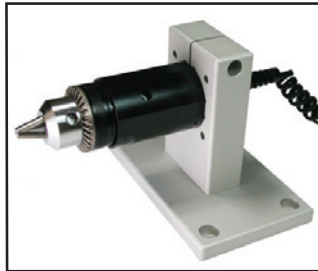
ACCURACY:	±0.35% of full scale + indicator
CHUCK OPENING RANGE:	MR50-10Z - MR50-50Z: 0.062 - 0.375 in [1.6 - 9.5 mm] MR50-12 - MR50-100: 0.078 - 0.5 in [2.0 - 12.7 mm]
SAFE OVERLOAD:	MR50-10Z - MR50-50Z: 300% of full scale MR50-12 - MR50-100: 150% of full scale
WEIGHT:	From 1.4 lb [0.6 kg]

Model No.	A
MR50-10Z - MR50-50Z	4.82 [122.4]
MR50-12 - MR50-100	5.19 [131.8]

Optional Item	
AC1007	Mounting kit, Series R50, table top



A Series R50 torque sensor is shown mounted to a model TSTM motorized torque test stand. The sensor fits into the stand without the need for additional adapters.



Optional AC1007 tabletop mounting kit may be used to hold the sensor in place.

- COMPATIBLE WITH THE 5i AND 3i DIGITAL INDICATORS
- UNIQUE PLUG & TEST™ CONNECTOR HOLDS ALL CALIBRATION AND CONFIGURATION DATA
- RUGGED ALUMINUM HOUSING
- NIST-TRACEABLE CERTIFICATE OF CALIBRATION INCLUDED
- ACCURACY: ± 0.35% OF FULL SCALE ±1 DIGIT + INDICATOR
- WEIGHT: FROM 1.4 LBS (0.6 KG)
- WARRANTY: 3 YEARS

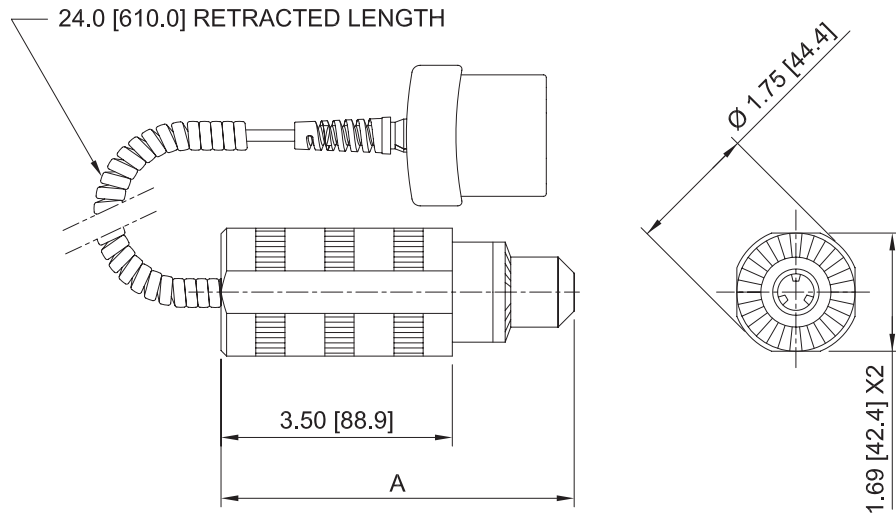


Unique Plug & Test™ technology allows for interchangeable sensors to be used with a Mark-10 model 5i or 3i indicator. All calibration and configuration data is saved in the smart connector.



The Plug & Test™ connector locks into the receptacle in the indicator when fully inserted. Dual buttons on the indicator housing release the connector for easy removal. Gold plated spring contacts ensure long lasting and reliable connection.

# SERIES R50 - PLUG AND TEST™ TORQUE SENSOR



## CAPACITY x RESOLUTION with Model 5i indicator

Model No.	ozFin	lbFin	gFft	gFcm	kgFmm	Nmm	Ncm	Nm
MR50-10Z	10 x 0.005	-	-	700 x 0.5	7 x 0.005	70 x 0.05	7 x 0.005	-
MR50-20Z	20 x 0.01	-	-	1400 x 1	14 x 0.01	140 x 0.1	14 x 0.01	-
MR50-50Z	50 x 0.02	-	-	3600 x 2	36 x 0.02	350 x 0.2	35 x 0.02	-
MR50-12	-	12 x 0.005	1 x 0.0005	-	140 x 0.1	-	135 x 0.1	1.35 x 0.001
MR50-50	-	50 x 0.02	4 x 0.002	-	580 x 0.5	-	570 x 0.5	5.7 x 0.005
MR50-100	-	100 x 0.05	8 x 0.005	-	1150 x 0.5	-	1150 x 0.5	11.5 x 0.005

## CAPACITY x RESOLUTION with Model 3i indicator

Model No.	ozFin	lbFin	kgFmm	Ncm
MR50-10Z	10 x 0.01	-	7 x 0.005	7 x 0.005
MR50-20Z	20 x 0.02	-	14 x 0.01	14 x 0.01
MR50-50Z	50 x 0.05	-	36 x 0.05	35 x 0.05
MR50-12	-	12 x 0.01	140 x 0.1	135 x 0.1
MR50-50	-	50 x 0.05	580 x 0.5	570 x 0.5
MR50-100	-	100 x 0.1	1150 x 1	1150 x 1