

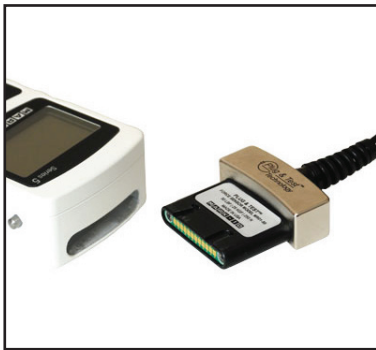
SERIES R02 - PLUG AND TEST™ FORCE SENSOR

Series R02 button type smart sensors are designed for compression measurement applications in virtually every industry. Compact and rugged, Series R02 sensors are ideal for heavy duty applications with space constraints. Capacities available from 100 to 10,000 lbF [500 N to 50 kN]. Compatible with Mark-10 model 5i and 3i indicators (sold separately) through unique Plug & Test™ technology.

- **COMPATIBLE WITH THE 5i AND 3i DIGITAL INDICATORS**
- **UNIQUE PLUG & TEST™ CONNECTOR HOLDS ALL CALIBRATION AND CONFIGURATION DATA**
- **SMALL SIZE**
- **STAINLESS STEEL CONSTRUCTION**
- **NIST-TRACEABLE CERTIFICATE OF CALIBRATION INCLUDED**
- **ACCURACY: ± 0.5% OF FULL SCALE ± 1 DIGIT + INDICATOR**
- **WEIGHT: 0.4 LBS (0.2 KG)**
- **WARRANTY: 3 YEARS**

SPECIFICATIONS

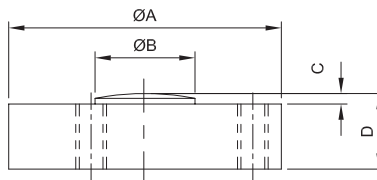
ACCURACY:	±0.5% of full scale + indicator
SAFE OVERLOAD:	150% of full scale
WEIGHT:	MR02-100 - MR02-2000: 0.3 lb [0.1 kg] MR02-5000-MR02-10000: 0.5 lb [0.2 kg]



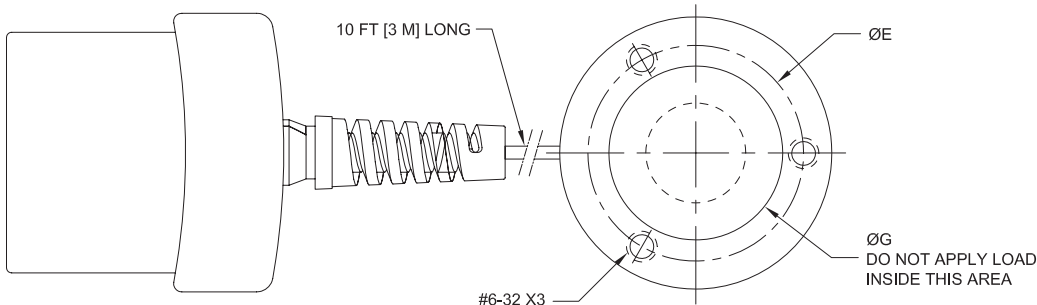
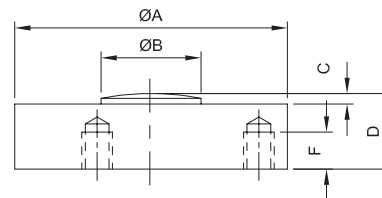
Unique Plug & Test™ technology allows for interchangeable sensors to be used with a Mark-10 model 5i or 3i indicator. All calibration and configuration data is saved in the smart connector.

The Plug & Test™ connector locks into the receptacle in the indicator when fully inserted. Dual buttons on the indicator housing release the connector for easy removal. Gold plated spring contacts ensure long lasting and reliable connection

MR02-100 - MR02-2000:



MR02-5000 - MR02-10000:



SERIES R02 - PLUG AND TEST™ FORCE SENSOR

Model No.	ØA	ØB	C	D	ØE	F	ØG
MR02-100 - MR02-2000	1.23 [31.3]	0.32 [8.1]	0.05 [1.3]	0.39 [9.9]	1.0 [25.4]	THRU	0.83 [21.1]
MR02-5000 - MR02-10000	1.48 [37.6]	0.43 [10.9]	0.07 [1.8]	0.62 [15.8]	1.25 [31.8]	0.25 [6.4]	1.08 [27.4]

Model No.	CAPACITY x RESOLUTION									
	with Model 5i indicator						with Model 3i indicator			
	lbF	ozF	gF	kgF	N	kN	lbF	kgF	N	kN
MR02-100	100 x 0.05	1600 x 1	50000 x 20	50 x 0.02	500 x 0.2	-	100 x 0.1	50 x 0.05	500 x 0.5	-
MR02-200	200 x 0.1	3200 x 2	-	100 x 0.05	1000 x 0.5	1 x 0.0005	200 x 0.2	100 x 0.1	1000 x 1	-
MR02-500	500 x 0.2	8000 x 5	-	250 x 0.1	2500 x 1	2.5 x 0.001	500 x 0.5	250 x 0.2	2500 x 2	-
MR02-1000	1000 x 0.5	16000 x 10	-	500 x 0.2	5000 x 2	5 x 0.002	1000 x 1	500 x 0.5	5000 x 5	-
MR02-2000	2000 x 1	32000 x 20	-	1000 x 0.5	10000 x 5	10 x 0.005	2000 x 2	1000 x 1	10000 x 10	-
MR02-5000	5000 x 2	-	-	2500 x 1	25000 x 10	25 x 0.01	5000 x 5	2500 x 2	-	25 x 0.02
MR02-10000	10000 x 5	-	-	5000 x 2	50000 x 25	50 x 0.02	10000 x 10	5000 x 5	-	50 x 0.05