

XC - COMPRESSION - MECHANICAL FORCE GAGE

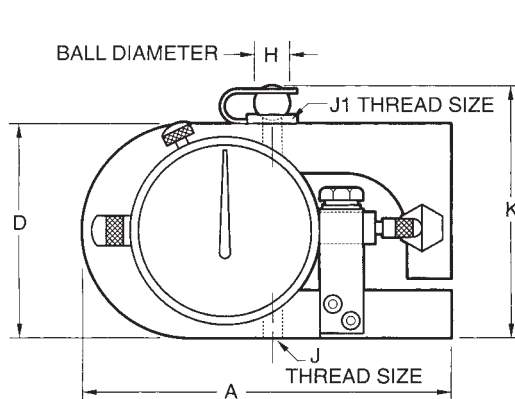
The XC series mechanical force gage comes in eleven capacities ranging from 25 lb to 50,000 lbs and 10 to 20,000 kg. The XC features an accuracy of $\pm 1\%$ full scale except the 25,000 to 50,000 lb (10,000 to 20,000 kg) capacities, which are $\pm 2\%$ full scale. The load is applied against a hardened ball, which rotates to maintain vertical alignment as pressure increase. The ball is held in place with a spring clip. The threaded mounting hole is located opposite the loading ball in the bottom of the beam. The zero position on the dial may be factory positioned at 12, 3, 6, or 9 o'clock. The XC also may be purchased with a shockless dial indicator for installations involving the sudden application or release of force. The peak pointer cannot be supplied with the shockless dial indicator. Newton capacities are available as well.

- MAXIMUM POINTER OPTION
- SHOCKLESS DIAL INDICATOR

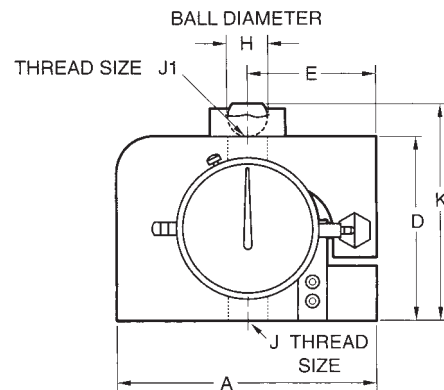
SPECIFICATIONS

LOAD RANGES:	50 lb to 25,000 lb or 50 kg to 10,000 kg
ACCURACY:	$\pm 1\%$ except the 25,000 lb and 50,000 lb (10,000 kg and 20,000 kg) capacity instruments which are accurate to $\pm 2\%$
MATERIAL:	High Strength Aluminum
TEMP. RANGE:	Up to 120° F
ZERO POSITION:	3, 6, or 9 o'clock optional 12 or 15 standard
SAFE OVERLOAD:	30% of F.S.
DEFLECTION:	50 to 250 lb - 0.018" 500 - 0.016" 1000 - 0.018 2000 - 0.011 5000 & 1000 - 0.010 25000 & 50000 - 0.022

*kg only available w/max pointer



RANGES FROM 25 LB TO 5000 LB



RANGES FROM 10,000 LBS TO 50,000 LBS

XC - COMPRESSION - MECHANICAL FORCE GAGE

PART NO.	LBS.	A	B	C	D	E	F	G	H	J	J1	K
		in (mm)	in (mm)	in (mm)	in (mm)	in (mm)	in (mm)	in (mm)	in (mm)	in (mm)	in (mm)	in (mm)
30386-0035	50 x .5	4.5	1.00	.50	2.5	2.06	2.00	2.25	.38	1/4-28	1/4-28	2.94
		107.9	25.4	12.7	63.5	52.3	50.8	57.1	9.6			74.6
30386-0043	100 x 1	4.25	1.00	.50	2.5	2.06	2.00	2.25	.38	1/4-28	1/4-28	2.94
		107.9	25.4	12.7	63.5	52.3	50.8	57.1	9.6			74.6
30446-0033	250 x 2.5	4.25	1.00	.50	2.5	2.06	2.00	2.25	.38	1/4-28	1/4-28	2.94
		107.9	25.4	12.7	63.5	52.3	50.8	57.1	9.6			74.6
30446-0017	500 x 5	4.25	1.00	.50	2.5	2.06	2.00	2.25	.38	1/4-28	1/4-28	2.94
		107.9	25.4	12.7	63.5	52.3	50.8	57.1	9.6			74.6
30444-0019	1000 x 10	4.25	1.00	.50	2.5	2.06	2.00	2.25	.38	1/2-20	1/2-20	2.94
		107.9	25.4	12.7	63.5	52.3	50.8	57.1	9.6			74.6
30388-0017	2000 x 20	4.75	1.00	.50	3.0	2.25	2.50	2.75	.38	1/2-20	1/2-20	3.44
		120.6	25.4	12.7	76.1	52.3	63.5	69.8	9.6			87.3
30389-0016	5000 x 50	4.75	1.00	.50	3.0		2.50	2.75	.38	1/2-20	1/2-20	3.44
		120.6	25.4	12.7	76.1	57.1	63.5	69.8	9.6			87.3
30423-0014	10000 x 100	5.87	1.87	.94	3.94	2.75	3.00	3.62	.75	7/8-14	7/8-14	6.31
		149.0	47.5	23.9	100.0	69.8	76.1	91.9	19.0			160.2
30449-0014	25000 x 250	6.56	2.38	1.18	4.68	3.31	3.63	3.62	1.00	1-14	1 1/4-12	5.50
		166.5	60.4	29.9	118.8	84.0	92.1	91.9	25.4			139.6