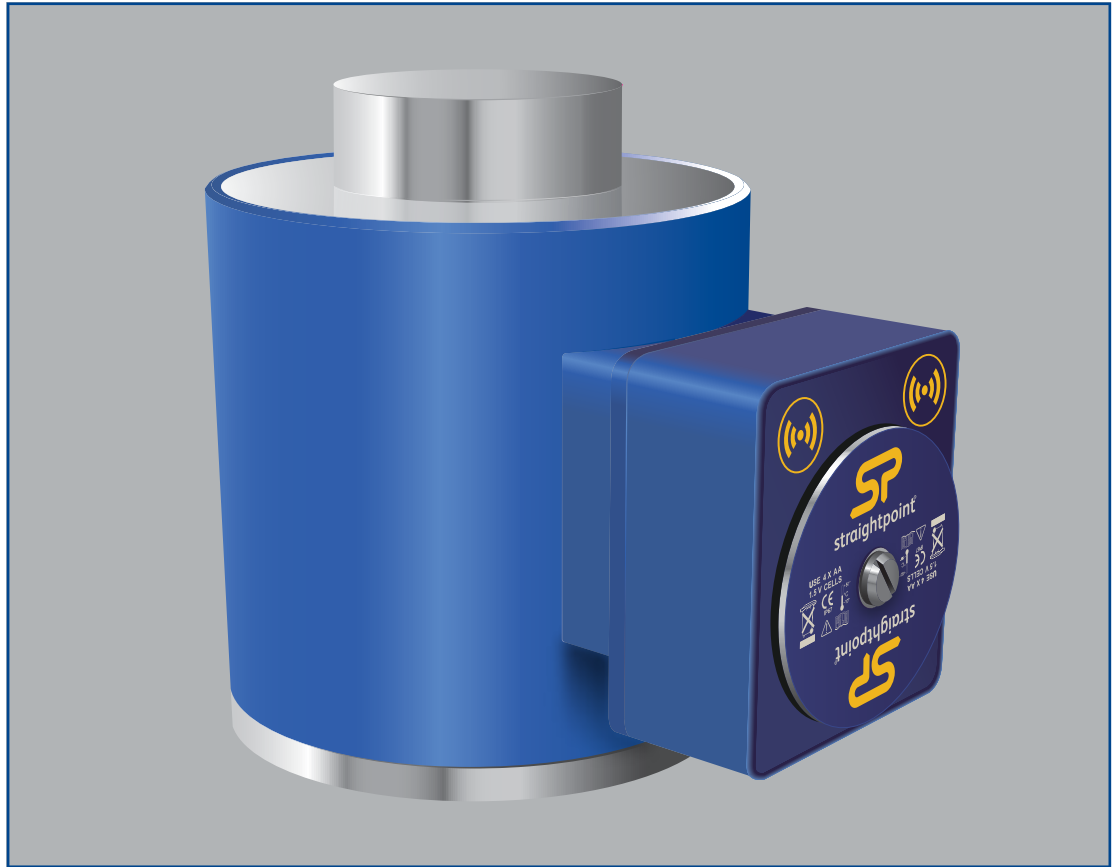




wireless compression load cell



The Straightpoint Wireless Compression Load Cell is taking the heavy lift and structural weighing industry by storm. By adding the Straightpoint wireless system to the already popular compression load cell line we have developed a cost-effective alternative to standard compression load cells.

No longer hindered by troublesome and hard to maintain cables, large scale projects can be completed in a fraction of time previously required. Maintenance costs are all but eliminated due to the absence of cables and connectors, and the product's flexibility opens the door to a large number of applications in the mining, energy, defence, heavy rigging, shipping, and general transportation sectors, previously not considered.

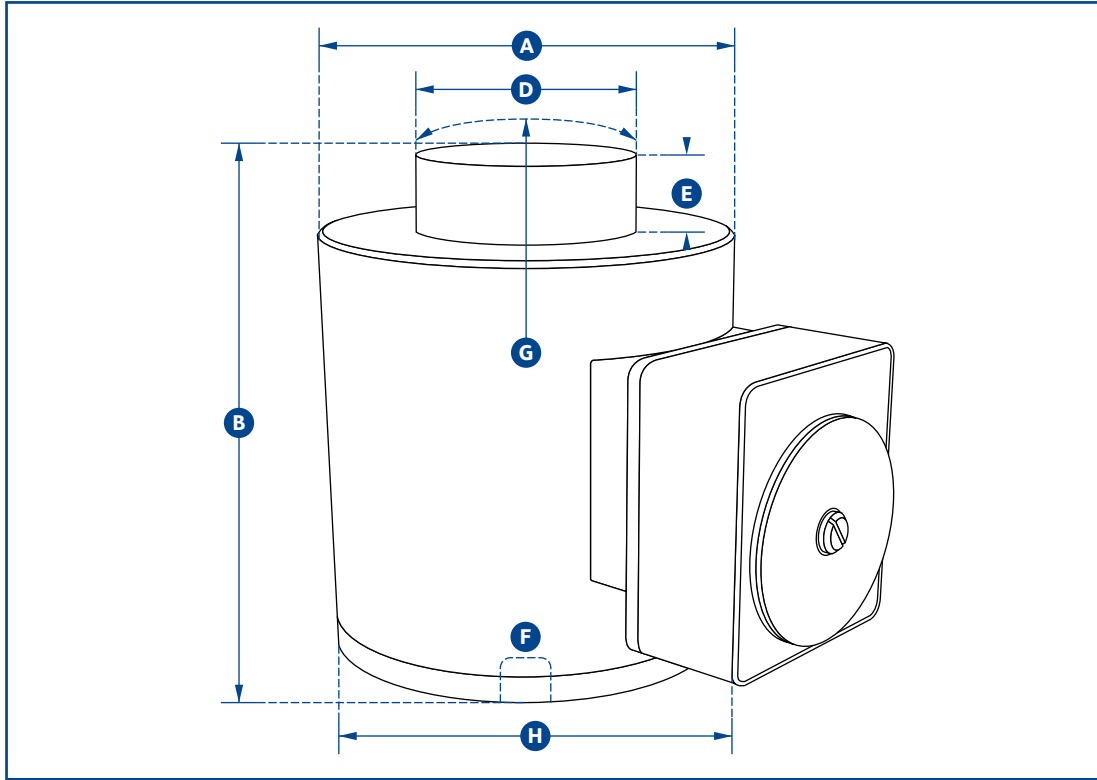
Straightpoint's Wireless Compression Load Cells are machined from high grade stainless steel, providing excellent strength and corrosion resistance. The heavy duty, compact load cell utilizes Straightpoint's advanced microprocessor based electronics and benefits from unrivaled resolution and accuracy. Data transmission is handled by the Straightpoint wireless system's proprietary transport protocol, is unmatched in performance and capable of a license free transmission range of up to 2,300 feet.

It is not until you add the powerful array of wireless accessories that the full potential of this product is realized. These accessories which include a wireless signal booster and several user friendly Windows®-based software packages, provide a level of flexibility not previously known in the load monitoring industry. The system's creative software solutions allow for the calculation of center of gravity, the ability to data log and print reports, and allow the simultaneous display and monitoring of up to 100 wireless load cells on a single PC screen.

Features and benefits:

- Proprietary 2.4 GHz wireless
- Industry leading 2,300 foot wireless range
- Error free data transmission
- Internal antennae
- Advanced options available
- No cable assemblies
- Unrivaled resolution
- Audible overload alarm
- Unmatched battery life
- Reduced maintenance cost
- Compact size
- Remote on-off
- Design validated by F.E.A.

imperial specifications



wireless compression load cell

Part Number	WNI5TCU	WNI10TCU	WNI25TCU	WNI50TCU	WNI100TCU	WNI150TC	WNI300TCU	WNI500TCU
Capacity	11000lb	22000lb	55000lb	110000lb	220000lb	330000lb	660000lb	1100000lb
Resolution	2lb	5lb	10lb	20lb	100lb	100lb	200lb	500lb
Units	lb							
Weight	13.64lb	13.64lb	13.64lb	13.64lb	34lb	34lb	143lb	143lb
Safety Factor	3:1							
Battery Type	Load cell 4 x AA Alkaline							
Battery Life	Load cell 1200hrs continuous							
Operating Temp	-10°C to +50°C / 14°F to 122°F							
Accuracy	± 0.3% of applied load							
Frequency	2.4Ghz							
System Range	700 meters / 2300 feet							
Data Rate	3Hz (configurable to 200Hz)							
Protection	IP67 / NEMA 6							
Dimension A	4.02	4.02	4.02	4.02	5.98	5.98	7.28	7.28
Dimension B	5	5	5	5.00	7.24	7.24	11.81	11.81
Dimension D	2.32	2.32	2.32	2.32	3.15	3.15	6.10	6.10
Dimension E	0.51	0.51	0.51	0.51	1.02	1.02	1.08	1.08
Dimension F	M18 x 2.5	M18 x 2.5	M18 x 2.5	M20 x 2.5	M20 x 2.5	M20 x 2.5	M20 x 2.5	M20 x 2.5
Dimension G	5.98	5.98	5.98	5.98	17.01	17.01	17.01	17.01
Dimension H	6.22	6.22	6.22	6.22	8.19	8.19	9.49	9.49

Capacities from 500t - 2000t (price on application).

