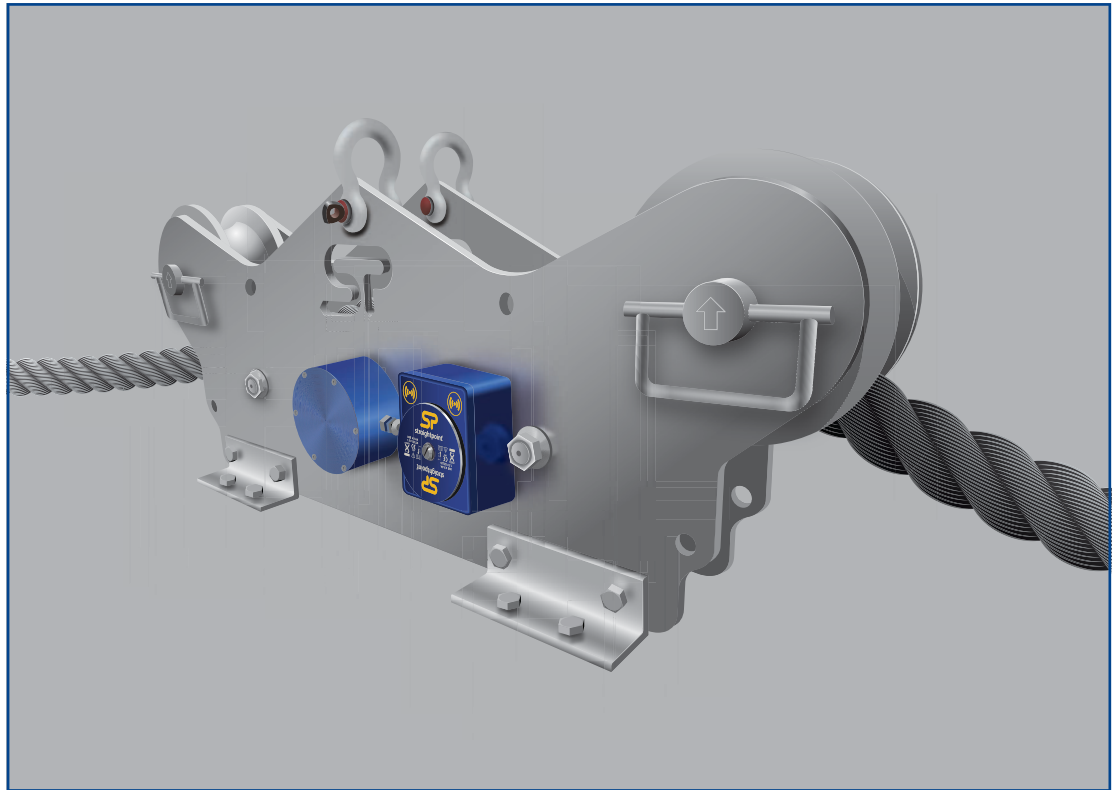




running line dynamometer *tension in motion*



The TIMH range is a Running Line Tensiometer or RLTM built with dockside, marine, offshore, towage and salvage applications in mind.

It is particularly useful where there is no anchor or dead end on the line to rig a Straightpoint Radiolink or Loadlink digital dynamometer to measure tension force.

The TIMH is constructed from marine grade stainless steel and is suitable for many wire rope configurations up to 80t and will, as an option, calculate lineout in meters or feet along with line speed.

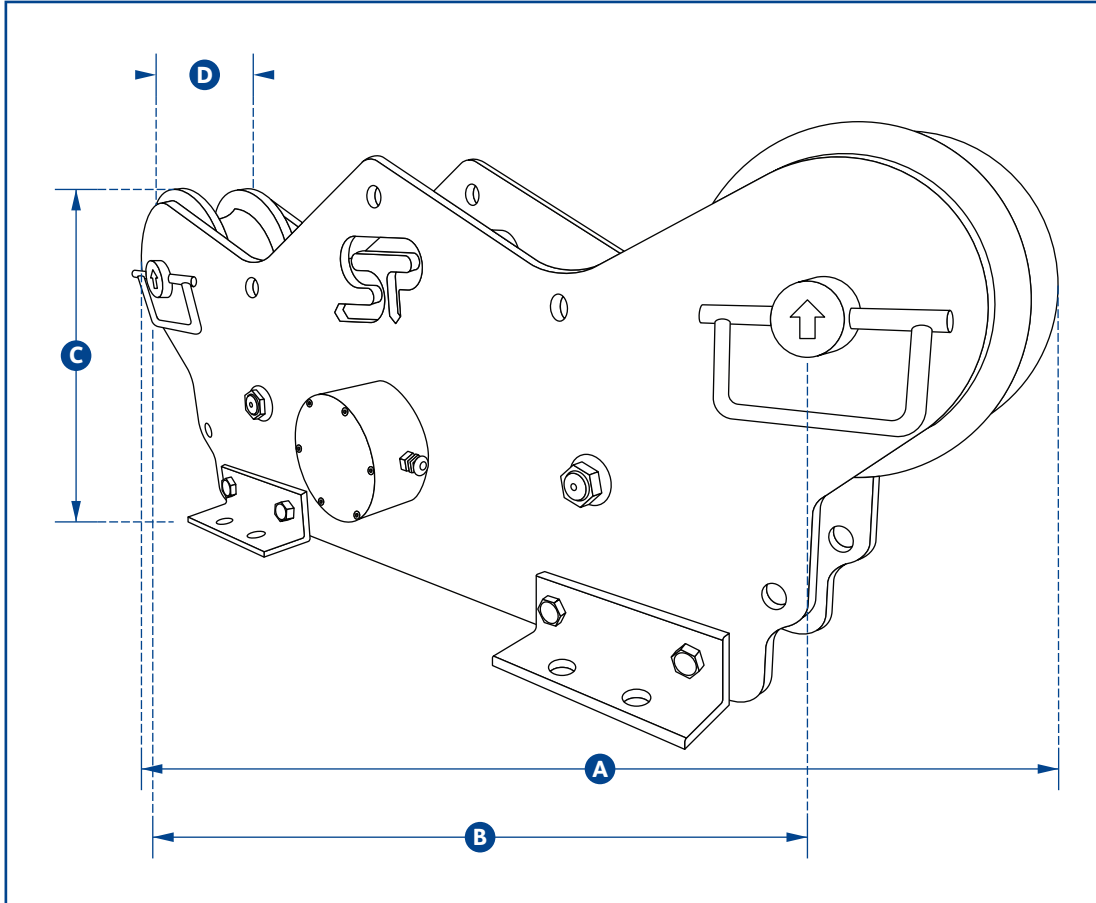
The TIMH has several mounting points featured in its unique design but if other mounting options are required Straightpoint can provide a custom engineered solution specific to your application.

Available as a wireless or cabled system utilizing our HHP range of handheld displays or SW MWLC software, this impressive Running Line Dynamometer or RLTM is available to ship from stock, to anywhere in the world within days.

Features and benefits:

- Five wheel design improving accuracy
- Cabled or wireless options
- Fully constructed from corrosion resistant stainless steel
- IP67/NEMA6 Load Pin
- Gravity catches fitted to top sheave pins make wire rope installation quick and simple
- Industry leading battery life
- Maintenance free heavy duty bearings
- Large range of capacities from 10t to 80t and wire rope diameters up to 52mm/2"
- Options for lineout and line speed available
- Software to available to data log and monitor or analogue outputs
- Design validated by F.E.A.

imperial specifications



running line dynamometer tension in motion

| Part Number | TIMH10T | TIMH25T | TIMH56T | TIMH80T |
|--------------------|--|-------------|-----------------|---------------|
| Capacity | 22,000lbs | 55,000lbs | 123,500lbs | 176,000lbs |
| Resolution | 20lbs | 50lbs | 100lbs | 200lbs |
| Wire Rope Ø inches | 1/2" - 3/4" | 5/8" - 1.0" | 1 1/8" - 1 1/2" | 1 5/8" - 2.0" |
| Weight | 167lbs | | | |
| Battery Type | Wireless version 4 x AA alkaline batteries | | | |
| Battery Life | Wireless version 1200hrs | | | |
| Operating Temp | -10°C to +50°C / 14°F to 122°F | | | |
| Accuracy | 2% F.S. | | | |
| System Range | Wireless version 700 meters / 2300 feet | | | |
| Data Range | Wireless Version 3 Hz - up to 200 Hz can be ordered for dynamic load monitoring applications | | | |
| Protection | IP67 / NEMA 6 | | | |
| Dimension A | 34.64 | | | |
| Dimension B | 27.55 | | | |
| Dimension C | 12.99 | | | |
| Dimension D | 4.33 | | | |

| Part Numbers | | | | |
|--------------------------------|-----------|-----------|-----------|-----------|
| Cabled, tension only | TIMH10T | TIMH25T | TIMH56T | TIMH80T |
| Wireless, tension only | TIMH10TR | TIMH25TR | TIMH56TR | TIMH80TR |
| Wireless, tension and line out | TIMH10TRD | TIMH25TRD | TIMH56TRD | TIMH80TRD |

