

DFI 920i SERIES PROGRAMMABLE HMI INDICATOR/CONTROLLER

The DFI 920i[®] programmable weight indicator/controller is the first of its kind to blend revolutionary user interfaces, total flexibility and ultimate processing performance with the simplicity of a basic weight indicator. It has the best features from weight instruments, PLCs and computers with more robust electronics, a crisp graphical display and programmable softkeys inside a virtually indestructible enclosure. The 920i HMI indicator/controller delivers simplified customization at a fraction of the cost of traditional process instrumentation.

From tailored basic weighing to complex process automation, the 920i programmable weight indicator/controller gives you up to ten different screens programmable to change with any given process, while graphic icons and messages show setpoint and function status. The multi-channel display feature shows the weight on an individual scale or a combination of totalized scales. When used in batching/mixing applications, one 920i is capable of handling multiple scales, flow, temperature and pulse. The 920i can control hundreds of I/O setpoints—queuing for such things as gates and conveyors. The 920i's complete database capability stores your important data and files.

For more seamless communication with external devices, use the 920i programmable weight indicator/controller with USB. Connector types include Standard Type A for hosting, connecting keyboards, printers and memory devices, and Standard Type B for connecting as a device to PCs.

- **LARGE LCD BACK-LIT GRAPHICAL DISPLAY**
- **60 CONFIGURABLE OPERATOR PROMPTS**
- **DISPLAY UP TO FOUR SCALE CHANNELS PER SCREEN WITH REQUIRED LEGAL FOR TRADE INFORMATION**
- **32 SCALE ACCUMULATORS**
- **5 SOFTKEYS WITH 10 USER-DEFINED, 14 PRESET FUNCTIONS PER SCREEN**
- **10 PROGRAMMABLE DISPLAY SCREENS**
- **MILLIVOLT CALIBRATION, 5-POINT LINEARIZATION AND GEOGRAPHICAL CALIBRATION**
- **NEMA TYPE 4X/IP66 STAINLESS STEEL ENCLOSURE**
- **SELECTABLE A/D MEASUREMENT RATE UP TO 960/SECOND**
- **100 SETPOINTS, 30 CONFIGURABLE TYPES**
- **2 SLOTS FOR OPTION CARDS**
- **1,000-ID TRUCK REGISTER FOR IN/OUT WEIGHING**
- **64 K USER ON-BOARD NV RAM**
- **USER PROGRAMMABLE 128 K FLASH MEMORY**
- **REFLASH MEMORY TO UPGRADE FIRMWARE**
- **POWER FOR 16, 350 OHMS LOAD CELLS PER A/D BOARD**
- **LOCAL-REMOTE INDICATORS**
- **MULTI RANGE/INTERVAL**
- **ALIBI™ STORAGE**
- **AUDIT TRAIL TRACKING**
- **PEAK HOLD**
- **RATE OF CHANGE**

SPECIFICATIONS

POWER:	Line voltages: 90 or 264 VAC
FREQUENCY:	50 or 60 Hz
POWER CONSUMPTION:	340 mA, maximum at 115 VAC (26 W) 240 mA at 230 VAC (26 W)
EXCITATION VOLTAGE:	10 ± VDC, 16 x 350 Ω or 32 x 700 Ω load cells per A/D card
ANALOG INPUT RANGE:	-10 mV to +45 mV
ANALOG SENSITIVITY:	0.3 μV/graduation minimum at 7.5 Hz 1.0 μV/graduation typical at 120 Hz 4.0 μV/graduation typical at 960 Hz
A/D SAMPLE RATE:	7.5 to 960 Hz, software selectable
RESOLUTION:	Internal resolution: 8 million counts Weight display resolution: 9,999,999
SYSTEM LINEARITY:	± 0.01% full scale
DIGITAL I/O:	Six I/O channels on CPU board; optional 24-channel I/O expansion boards available
CIRCUIT PROTECTION:	RFI, EMI, ESD protection
SERIAL PORTS:	Four ports on CPU board support up to 115,200 bps; optional dual-channel serial expansion boards available

(continued next page)

DFI 920i



DFI 920i SERIES PROGRAMMABLE HMI INDICATOR/CONTROLLER

SPECIFICATIONS

DISPLAY (W x H):	Port 1: Full duplex RS-232 Port 2: RS-232 with CTS/RTS; PS/2 keyboard interface via DB-9 connector Port 3: Full duplex RS-232, 20 mA output Port 4: Full duplex RS-232, 2-wire RS-485, 20 mA output 4.6 in x 3.4 in (116 W x 86 mm H), 320 x 240 pixel VGA Liquid Crystal Display (LCD) module with adjustable contrast. Transmissive display, standard. Transflective display, option.
KEYBOARD:	27-key membrane panel, tactile feel, PS/2 port for external keyboard connection
OPERATING TEMP:	Legal: 14°F to 104°F (-10°C to +40°C) Industrial: 14°F to 122°F (-10°C to +50°C)

WEIGHT:	Universal enclosure: 9.5 lb (4.3 kg) Wall Mount enclosure: 23.0 lb (10.4 kg) Panel Mount enclosure: 8.5 lb (3.9 kg) Deep Universal: 11 lb (5.0 kg)
RATING/MATERIAL:	NEMA Type 4X/IP66, stainless steel
WARRANTY:	Two-year limited warranty
APPROVALS:	NTEP CC 01-088, Class III/IIIL 10,000d Measurement Canada AM-5426, Class III/III HD 10,000d OIML approved 6,000/10,000, UK 2658 CE marked UL & C-UL listed (Universal, Deep and Wall Mount Enclosure) Custom Wall Mount approved for 508A (Optional) Panel Mount UL recognized

USB STANDARD FEATURES

- **USB interface card on Port 2**
- **The USB card is supported on Rev L CPU boards or later**
- **The 920i for USB interface requires firmware version 5.0 or higher**

CONNECTOR TYPES:

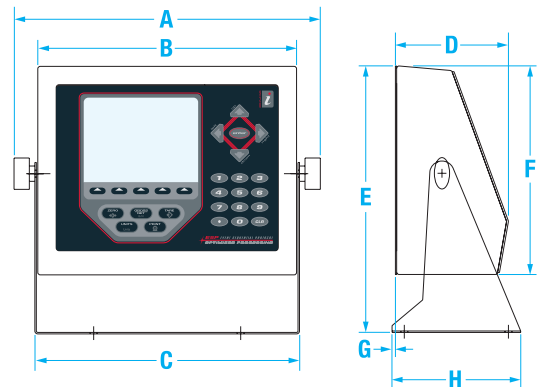
- **Standard Type A: 920i connects to keyboard, ASCII font label ticket printers and flash drives**
- **Standard Type B: 920i connects to PC**

USB INTERFACE FUNCTIONS:

- **Supports weigh mode and configuration mode functions**
- **Supports upload of databases and .920 configuration file**
- **Supports download of databases, .920 configuration file, iRite, COD file and firmware file**
- **Sanity checks for command errors**

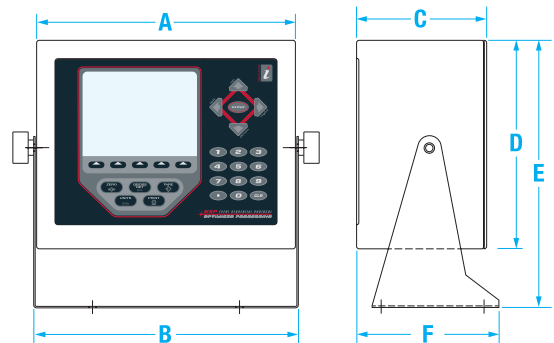
FLASH DRIVES:

- **Supports USB 2.0**
- **Create sub directories by unit ID and database name**
- **Use the root directory for generic files Optional Washdown Connectors page 500**
- **Sealed receptacle**
- **Connectors - cables**
- **USB cover - flash drive and receptacle**



DFI 920i Universal Dimensions

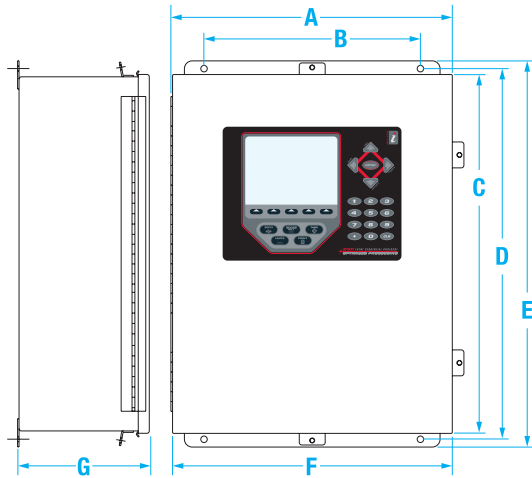
A 12.50 in (318 mm)	D 4.61 in (117 mm)	G 0.14 in (3,5 mm)
B 10.56 in (268 mm)	E 10.87 in (276 mm)	H 5.25 in (206 mm)
C 10.80 in (203 mm)	F 8.51 in (216 mm)	



DFI 920i Deep Universal Dimensions

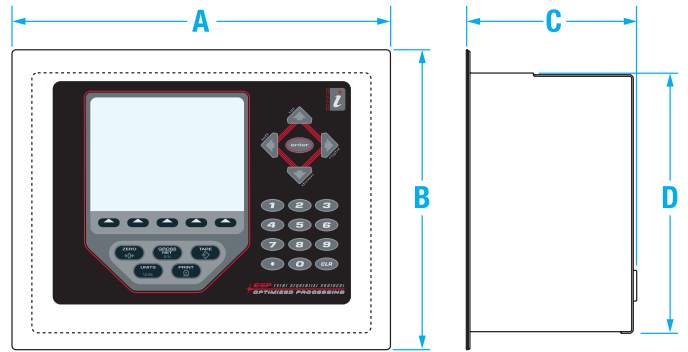
A 10.75 in (318 mm)	C 5.36 in (216 mm)	E 10.87 in (61 mm)
B 11.00 in (268 mm)	D 8.5 in (3,5 mm)	F 5.88 in (7 mm) 4X

DFI 920i SERIES PROGRAMMABLE HMI INDICATOR/CONTROLLER



DFI 920i Wall Mount Dimensions

A 14.30 in (363 mm) D 18.84 in (479 mm) F 14.00 in (356 mm)
 B 11.00 in (279 mm) E 19.63 in (499 mm) G 6.75 in (171 mm)
 C 18.00 in (457 mm)



DFI 920i Panel Mount Dimensions

A 11.56 in (294 mm) C 5.20 in (132 mm)
 B 9.16 in (233 mm) D 7.95 in (202 mm)