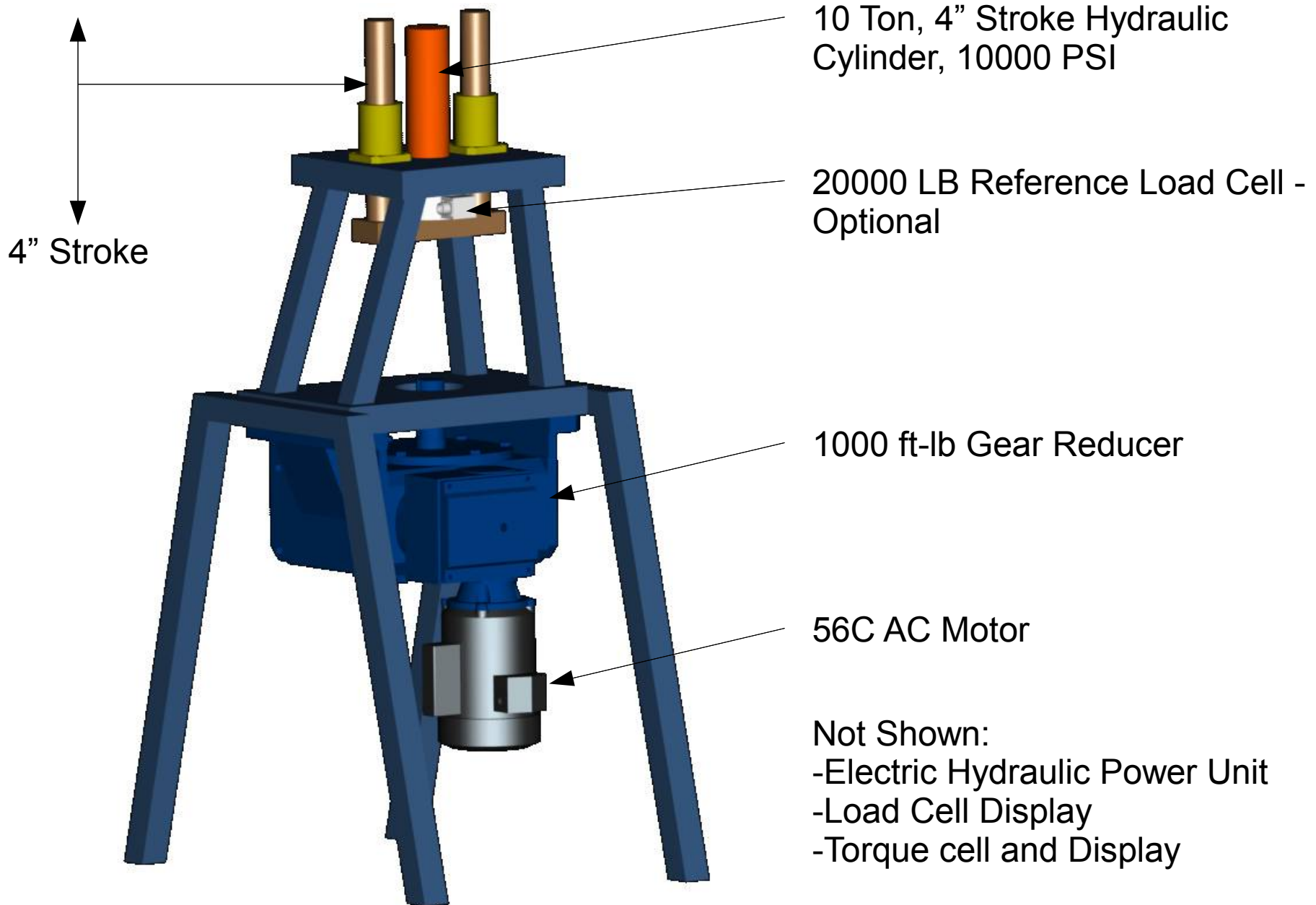


# Thrust and Torque Test Stand Conceptual Design



COOPER INSTRUMENTS CONFIDENTIAL