

T-Rex Test Stand – A Portable Hydraulic Test System

The T-Rex Test Stand has been designed to accommodate a variety of materials, component and product tests. This rugged and flexible system provides the capacity of 4 tons in tension and 10 tons in compression. The numerous applications possible with the T-Rex Test Stand include mechanical connection tests, adhesive bond strength verification, extraction force tests, crushing strength review and many other test applications. Material strengths typically investigated include metals, rigid plastics, concrete, adhesives, foils, paper, packaging, wood and others.

Standard System Components

DFI Infinity Digital Indicator/Controller

6 digit controller
 4 alarm set points
 Zero Tare
 Channels: 1
 Temperature (operating): 32° to 130°F
 HI/LO Limits (Dual): 4 standard
 Amplifier Accuracy: .005% of Reading
 Peak/Valley Hold: Standard



Hydraulic Hand Pump

All metal, heavy duty construction
 P159D Double Acting Hand Pump
 Maximum Pressure (psi): 325 LP,
 10,000 HP
 Oil Port (in.): 3/8 NPTF



Hydraulic Cylinder

Heavy duty load cap & safety relief valve
 RD1010 Double Acting Cylinder
 Capacity: 10 Ton Push, 4 Ton Pull



LTR 820 Load Cell

Load Ranges: 0 – 20,000 lb.
 Accuracy: 0.25% F.S.
 Material: Stainless Steel
 Shown with Compression Button (included)



Force Limiting Valve

Allows users to set a load limit in either tension or compression



Casters or Leveling Feet

Optional Components

- Digital Height Micrometer - Frame Mount
- WinWedge Serial Data Acquisition Software
- Ultra Precision Load Cell
- Electric Pump
- Custom Fixtures Available
- RS 232/Analog Outputs

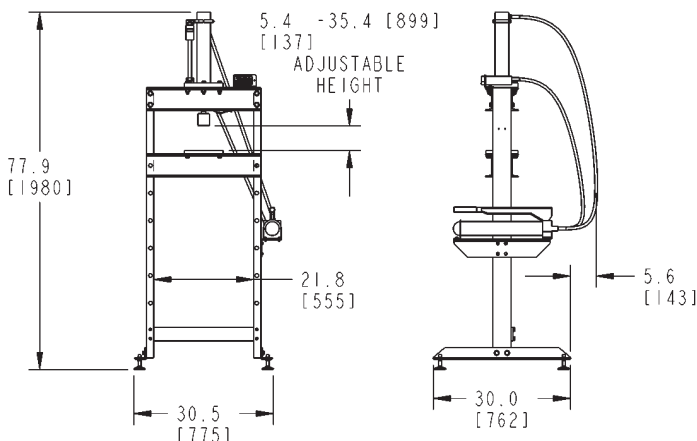
Ask about System Retrofits to your existing press. T-Rex frame designs available in 25 and 55 tons

Bolster Plate

3/4-16 Thread center Hole



T-Rex is shipped completely assembled and ready to use.



Measurements shown in inches [metric].



Register for the Cooper Newsletter and be eligible for a T-Rex hat, shirt or mug.

Introducing T-Rex Test Stand — A Portable Hydraulic Text System

*Designed for use where work happens
— on your production floor.*

The T-Rex Test Stand has been designed to accommodate a variety of materials, component and product tests. This rugged and flexible system provides the capacity of 4 tons in tension and 10 tons in compression. The numerous applications possible with the T-Rex System include: mechanical connection tests, adhesive bond strength verification, extraction force tests, crushing strength review and many other test applications. Material strengths typically investigated include metals, rigid plastics, concrete, adhesives, foils, paper, packaging, wood and others.

Standard & Optional Components include:

Cooper 10 Ton T-Rex Wheeled Test Frame



NOTE: T-Rex is shipped completely assembled and ready to use.

Product Manager - Jeff Parke
Phone: 858-792-5644
Email: TRex@cooperinstruments.com



DFI Infinity Digital Indicator/Controller



Force Limiting Valve – for Tension or Compression.



Double Acting Hydraulic Hand Pump



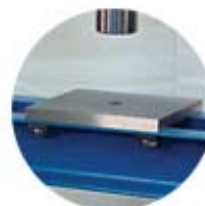
LTR 820 Load Cell w/Compression Button



10 Ton Double Acting Hydraulic Cylinder



Digital Height Micrometer



Bolster Plate w/3/4-16 Thread Center Hole



Choice of Casters or Leveling Feet

Optional Components Available:

Digital Height Micrometer – Frame Mount
WinWedge Serial Data Acquisition Software
Ultra Precision Load Cell
Electric Pump
Custom Fixtures Available
RS 232/Analog Outputs

Ask about System Retrofits to your existing press. T-Rex designs available in 25 and 55 tons.